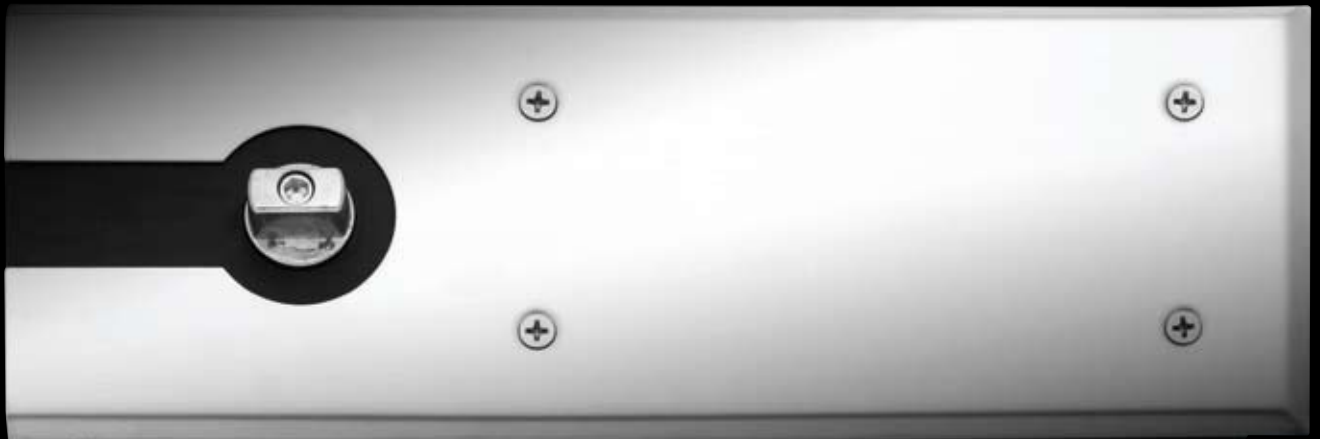




ASSA ABLOY

# Floor Springs



# Contents

<b>Floor Spring Introduction</b>	<b>3</b>
<b>Lockwood FS8514 Series Adjustable Floor Spring</b>	<b>4 – 5</b>
<b>Lockwood FS8000 Series Fixed Size Floor Spring</b>	<b>6 - 7</b>

## Floor Springs

The Lockwood FS8500 and FS8000 series floor spring range has been specifically designed to meet most situations where pivoted single or double action doors require positive and consistent operation.

Innovative design enables flexibility over a wide range of applications. Designed and manufactured to world class standards ensures the highest possible quality, efficient and reliable performance.

### Lockwood FS8514 Series Adjustable Floor Spring

- Double Action Floor Spring
- Cast Iron Body
- Interchangeable Pivots
- Dual Valve Adjusting, closing and latching speed
- Maximum opening angle of 160° degrees
- Applicable for timber, metal and glass door (with or without frames)
- Power Adjustable Size 1 – 4 Weight Range (15kg – 85kg)

### Lockwood FS8000 Series Fixed Size Floor Spring

- Double Action Floor Spring
- Aluminium Alloy Cast Body
- Interchangeable Pivots
- Dual Valve Adjusting, closing and latching speed
- Maximum opening angle of 110° degrees
- Applicable for timber, metal and glass door (with or without frames)
- Power Fixed Size 2, 3 and 4
  - Size 2 - Weight Range (20kg – 45kg)
  - Size 3 - Weight Range (40kg – 65kg)
  - Size 4 - Weight Range (60kg – 85kg)



# Floor Springs

## FS8500 Series Adjustable Floor Spring

### Part Description:

Lockwood Floor Spring – Cast Iron Body - Adjustable 1 -4 (15kg - 85kg)

### Product Information

Model No:	Article Number:	Product Description
FS8514	132230-08514-000	Lockwood Floor Spring – Cast Iron Body - Adjustable 1 -4 (15kg - 85kg)

### Features & Specification

The FS8514 floor spring is a cast iron body, dual action, power adjustable floor spring, which allows for adjustment at installation to suit most site conditions.

### Application

Applicable for timber, metal and glass door (with or without frames)

### Power Adjustable

Adjustable Size 1 to 4 floor spring

### Door Weight Range

Power	Door Weight
1	15kg – 25kg
2	20kg – 45kg
3	40kg – 65kg
4	60kg - 85kg

### Door Controls (160° in both directions)

Two independent adjustment valves provide full hydraulic control.

Closing from approx.	160° to 15°
Latching from approx.	15° to 0°

### Maximum Door Opening

160°

### Closing Force

**CE STANDARD FOR FS8514 - Size 1-4**

Closing force between 0° and 4°  
Ranges from 9 Nm to 37 Nm.

Closing force between 88° and 92°  
Ranges from 3 Nm to 9 Nm

### Standard Spindle

Standard spindle included is 14mm



### Suitable for Doors

Model	Power	Door Dimensions	Door Weight (Kg)	Floor Spring Dimensions
FS8514	1	650 x 2100	15kg – 25kg	295 x 105 x 50
	2	850 x 2100	20kg – 45kg	
	3	950 x 2100	40kg – 65kg	
	4	1100 x 2100	60kg - 85kg	

Minimum door thickness 40 mm

### Adjustment within Cement Box

FS8500 Series Adjustable Floor Spring has large range of adjustment:

Left to Right	4mm Adjustment
Front to Back	5mm Adjustments

### Cement Box

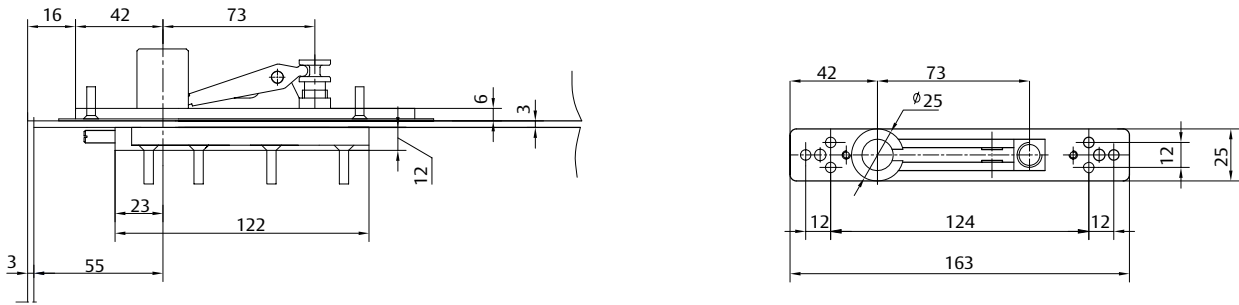
Hot zinc plated steel

### Cover Plate Finishes

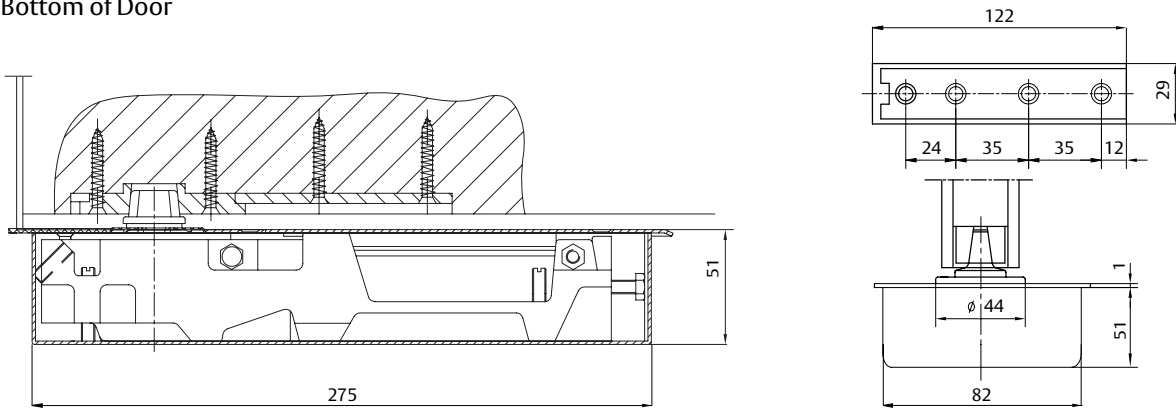
Satin Stainless Steel (Standard) SSS

## FS8500 Series Adjustable Floor Spring

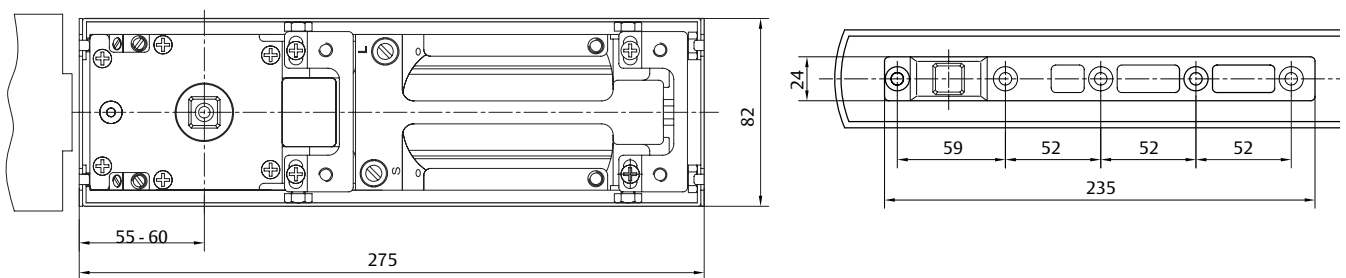
Top of door frame



Bottom of Door



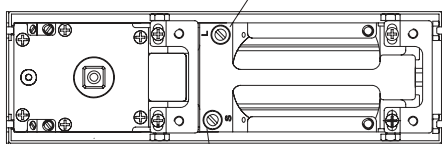
Bottom of Door



## Closing and Latching Adjustments

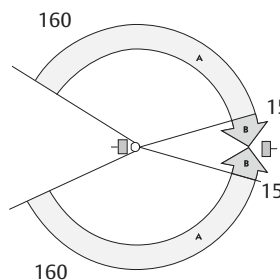
### B - Latching Speed

The second speed regulation screw rotate it to adjust latching speed in the second speed area (15 - 0)



### A - Closing Speed

The first speed regulation screw rotate it to adjust latching speed in the first speed area (160 - 15)



- A Closing Range 160 - 15
- B Latching Range 15 - 0

# Floor Springs

## FS8000 Series Fixed Size Floor Spring

### Part Description:

Lockwood Fixed Size Floor Springs – Aluminium Body Closer Size 2,3 and 4

### Product Information

Model No:	Article Number:	Product Description
FS8002	132230-08002-000	Lockwood Floor Spring - Aluminium Body Closer Size 2 (20kg - 45kg)
FS8003	132230-08003-000	Lockwood Floor Spring - Aluminium Body Closer Size 3 (40kg - 65kg)
FS8004	132230-08004-000	Lockwood Floor Spring - Aluminium Body Closer Size 4 (60kg - 85kg)

### Features & Specification

The FS8000 floor spring is a aluminium cast body, dual action floor spring, which has dual valve adjusting for the closing and latching speed. The FS8000 floor spring has a maximum opening angle of 110 degrees.

### Door Weight Range

Power	Door Weight
2	20kg – 45kg
3	40kg – 65kg
4	60kg - 85kg

### Door Controls (160° in both directions)

Two independent adjustment valves provide full hydraulic control.

Closing from approx.	110° to 15°
Latching from approx.	15° to 0°

### Maximum Door Opening

110°

### Closing Force

#### CE STANDARD FOR FS8002

Closing force between 0° and 4°  
Ranges from 13 Nm to 18 Nm.  
Closing force between 88° and 92°  
Ranges from 3 Nm to 4 Nm.

#### CE STANDARD FOR FS8003

Closing force between 0° and 4°  
Ranges from 18 Nm to 26 Nm.  
Closing force between 88° and 92°  
Ranges from 4 Nm to 6 Nm.

#### CE STANDARD FOR FS8004

Closing force between 0° and 4°  
Ranges from 26 Nm to 37 Nm.  
Closing force between 88° and 92°  
Ranges from 6 Nm to 9 Nm.



### Suitable for Doors

Model	Door Dimensions	Door Weight (Kg)	Floor Spring Dimensions
FS8002	800 x 2100	20kg – 45kg	290 x 129 x 51
FS8003	950 x 2100	40kg – 65kg	
FS8004	1000 x 2100	60kg - 85kg	

Minimum door thickness 40 mm

### Adjustment within Cement Box

FS8000 Series Floor Spring Series has an 8mm adjustment within all four directions of the cement box

### Standard Spindle

Standard spindle included is 14mm

### Cement Box

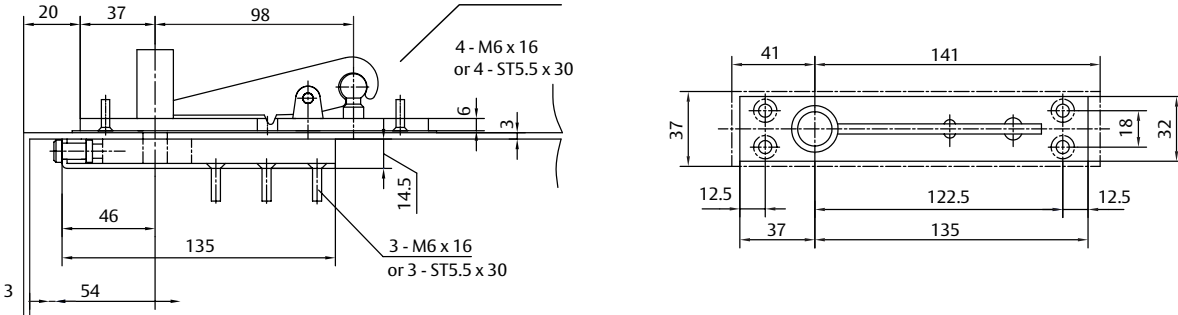
Hot zinc plated steel

### Cover Plate Finishes

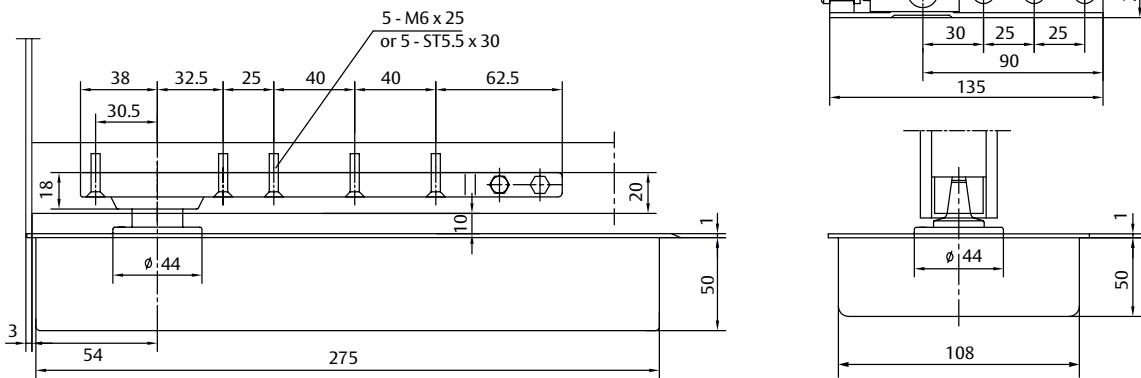
Satin Stainless Steel (Standard) SSS

## FS8000 Series Fixed Size Floor Sprin

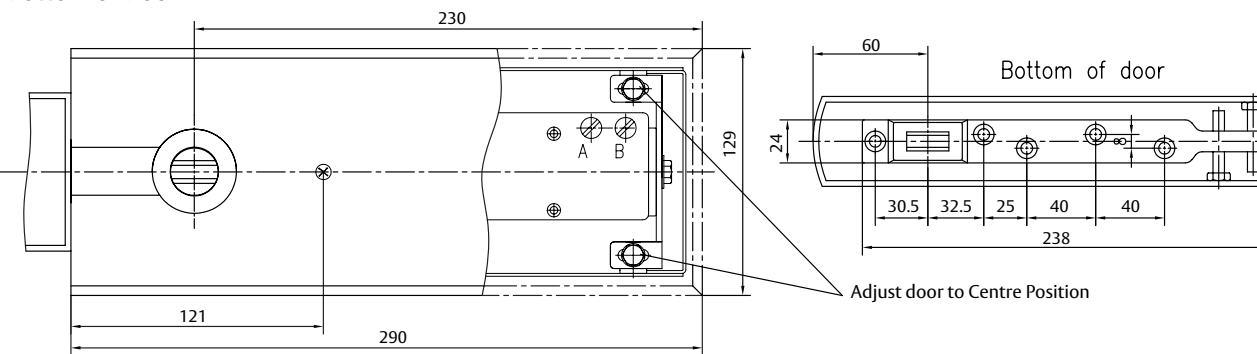
### Top of door frame



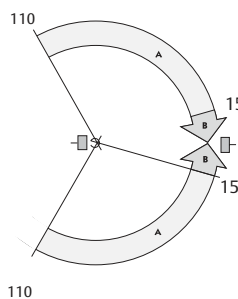
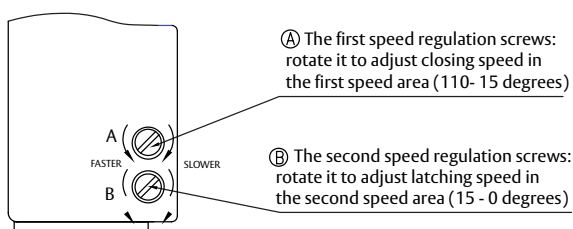
### Bottom of Door



### Bottom of Door



### Closing and Latching Adjustments



A	Closing Range	110 - 15
B	Latching Range	15 - 0



**ASSA ABLOY**

ASSA ABLOY is the global leader in door opening solutions, dedicated to satisfying end-user needs for security, safety and convenience.

[lockwoodasia.com](http://lockwoodasia.com)

---

**ASSA ABLOY Singapore**

152 Ubi Avenue 4,  
03-02 Armorcoat  
Technologies Building,  
Singapore 408826

Telephone +65 6880 0000  
Facsimile +65 6880 0500

---

**ASSA ABLOY Philippines**

15/F Unit 1505  
World Trade Exchange Building  
215 Juan Luna Street  
Binondo, Manila,  
Philippines 1006

Telephone +632 2442 890  
Facsimile +632 2442 889

---

**ASSA ABLOY Thailand**

5th Floor, 1919  
Preecha Group Building,  
Pattanakarn Road,  
Suanluang, Suanluang,  
Bangkok 10250,  
Thailand

Telephone +66 2 722 7371  
Facsimile +66 2 7227375

---

**Middle East**

P.O Box 283280,  
Dubai  
United Arab Emirates

Telephone +971 (0) 50 714 0751  
Facsimile +971 (0) 4 421 7349

---

**ASSA ABLOY Malaysia**

No. 14 Jalan Wan Kadir 1,  
Taman Tun Dr.  
Ismail, 60000  
Kuala Lumpur,  
Malaysia

Telephone +60 3 7725 3888  
Facsimile +60 3 7725 8333

---

**Export Enquiries**

ASSA ABLOY Australia  
Export Department  
235 Huntingdale Road  
Oakleigh, Victoria, 3166  
Australia

Telephone +61 3 8574 3888  
Facsimilie +61 3 8574 3788

---

**ASSA ABLOY India**

B-206, 2nd Floor  
Universal Business Park  
Off Saki Vihar Road  
Kamani Oil Mills Road  
Andheri (East) Mumbai  
India 400072

Telephone +91 22 40051380  
Facsimile +91 22 40051383